

Integrované EC-pohony ILE (s čelní převodovkou)

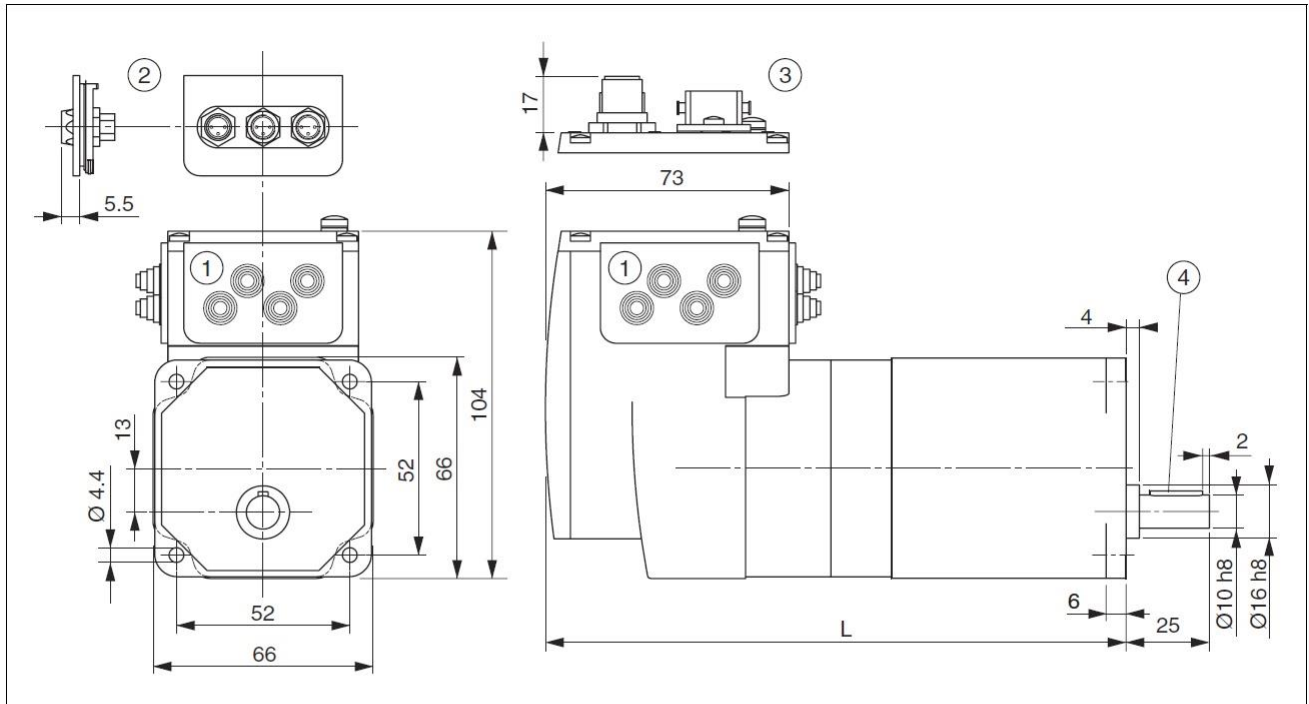


Figure 3.3 Dimensions

- (1) Insert with cable entry (accessory)
- (2) Insert kit (accessory)
- (3) Industrial connector (option)
- (4) Parallel key

Total length L

ILE••661...	P•1A1	P•1A2	P•1A3	P•1A4
L	[mm] 174	174	174	174